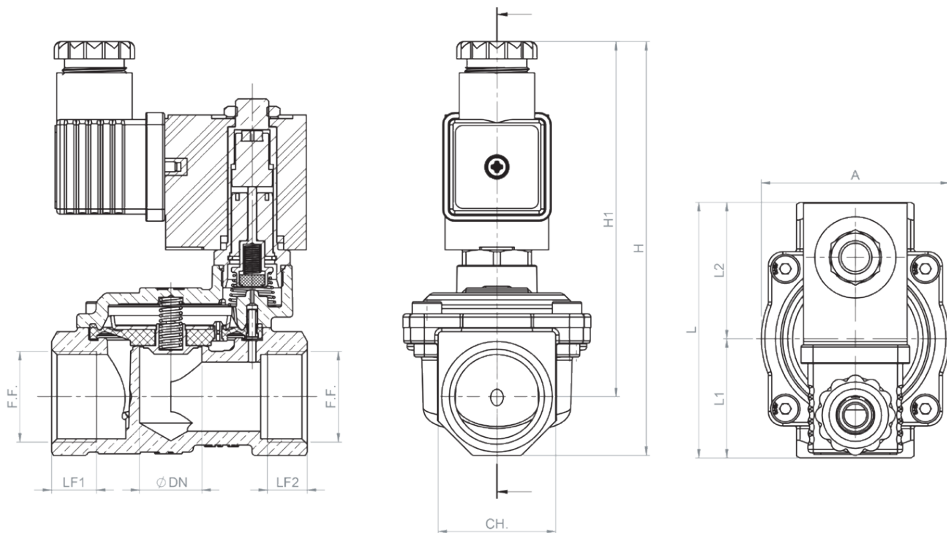


Elettrovalvola ad azione indiretta 2/2 vie N.C. con bobina e connettore



GUARNIZIONE NBR [B]: da -20°C a +90°C

| Codice Code | ø DN [mm] | F.F. | LF1 [mm] | LF2 [mm] | CH. [mm] | L1 [mm] | L2 [mm] | L [mm] | A [mm] [mm] | H1 [mm] | H [mm] | Pressione - Pressure [bar] | | Kv [m3/h] |
|------------------|--------------|-------|-------------|-------------|-------------|------------|------------|-----------|-------------------|------------|--------|-------------------------------|-----|-----------|
| | | | | | | | | | | | | min | max | |
| 18521-03-135-B-N | 13.5 | G1/2" | 13 | 12.7 | 28 | 30.7 | 37 | 67.7 | 45 | 95.8 | 109.8 | 0.1 | 15 | 3.5 |
| 18521-04-135-B-N | 13.5 | G3/4" | 12 | 12 | 36 | 35.2 | 39.8 | 75 | 45 | 98.8 | 116.5 | 0.1 | 15 | 3.5 |
| 18521-05-260-B-N | 26 | G1" | 14.3 | 14.3 | 42 | 43.5 | 49.5 | 93 | 71 | 108.6 | 129.6 | 0.2 | 12 | 9.5 |