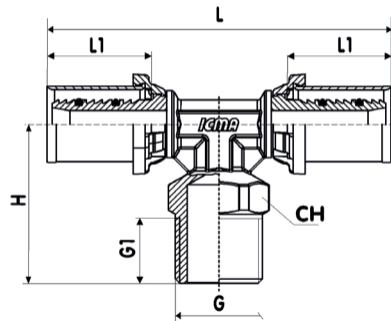


Serie 407



| Raccordo a "T" Maschio | | | | | | | | | |
|------------------------|------|------|----|----|----|------|----|----|-------------|
| DIMENSIONE TUBI | | | L | L1 | H | G | G1 | CH | CODICE |
| 16x2 | 1/2" | 16x2 | 82 | 25 | 38 | 1/2" | 16 | 22 | 81407ADGH06 |
| 20x2 | 1/2" | 20x2 | 82 | 25 | 38 | 1/2" | 16 | 22 | 81407ADBQ06 |
| 20x2 | 3/4" | 20x2 | 88 | 25 | 39 | 3/4" | 17 | 27 | 81407AEBQ06 |
| 26x3 | 3/4" | 26x3 | 91 | 25 | 42 | 3/4" | 17 | 27 | 81407AEGP06 |
| 26x3 | 1" | 26x3 | 98 | 25 | 43 | 1" | 18 | 34 | 81407AFGP06 |
| 32x3 | 1" | 32x3 | 96 | 25 | 46 | 1" | 18 | 34 | 81407AFGQ06 |

Filettatura ISO 228-1.